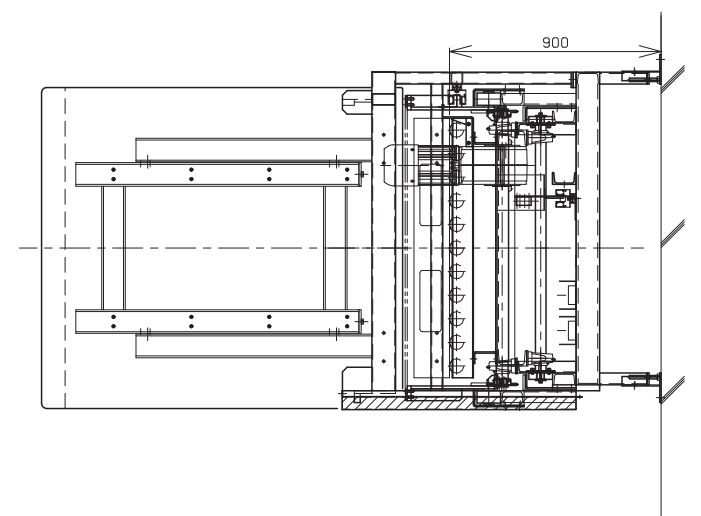
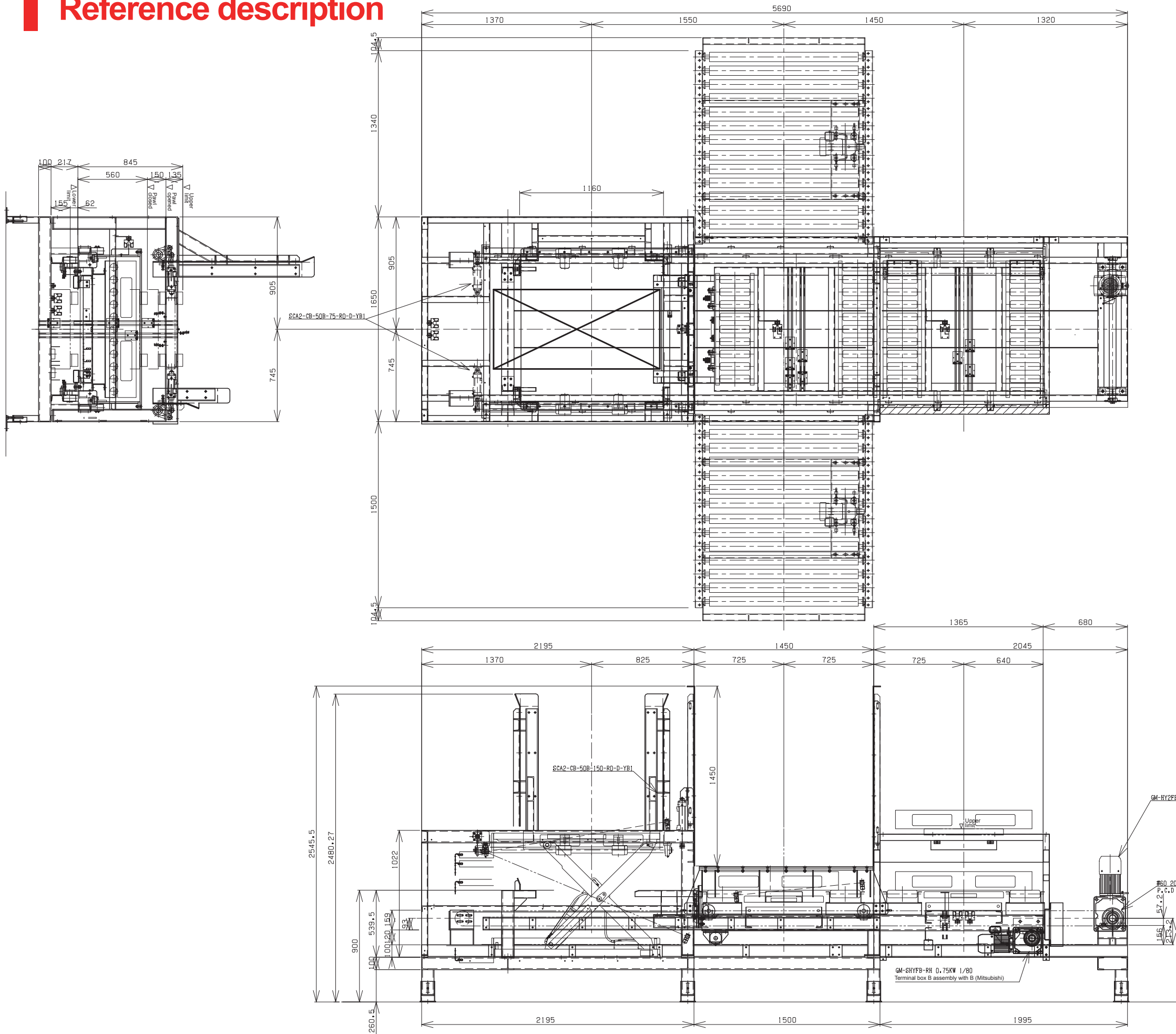


Reference description



GM-HY2FB-RH 1.5KW 1/100 Terminal box C assembly with B (Mitsubishi)

Cargo receiving cart PL lateral moving speed
 $1750 \times 1 / 95.63 \times 0.12178 \times \pi = 7.0 \text{ m/min}$

Conveyor lateral moving speed
 $1750 \times 1 / 29.3 \times 14 \times 12 \times 0.0891 \times \pi = 29.3 \text{ m/min}$

GM-SHYFB-RH 0.75KW 1/80 Terminal box B assembly with B (Mitsubishi)

Upper limit

#50 20T Type B P.C.D #121.78

57.2

156

213.2